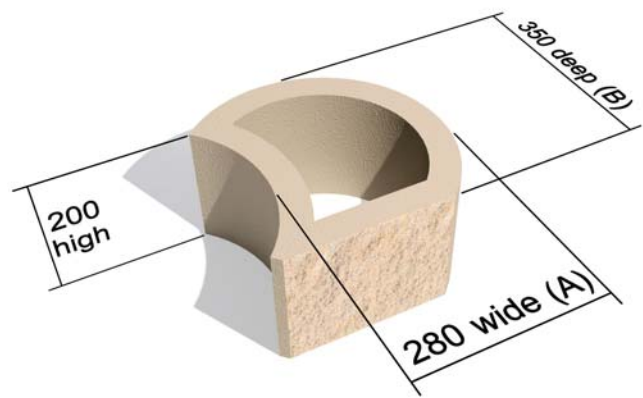
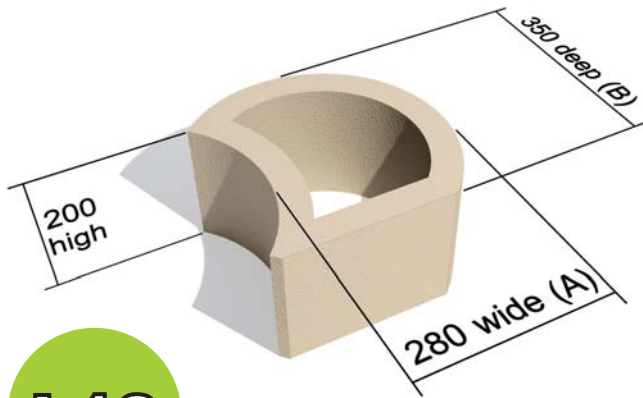


# TERRAFORCE®

The original, reversible, hollow core retaining block



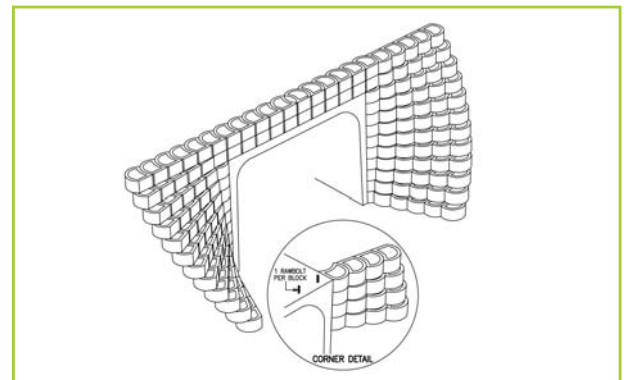
**L18**

L18 STANDARD

For variations check with your local supplier.

L18 ROCKFACE

Block	L18
Blocks/m <sup>2</sup> (Measured vertically)	18
Block mass/kg	18
Block infill volume/ m <sup>3</sup>	0.011
Average constructed mass kg per m <sup>2</sup> of wall	600
Block wall thickness mm	45



## MASS GRAVITY RETAINING WALL

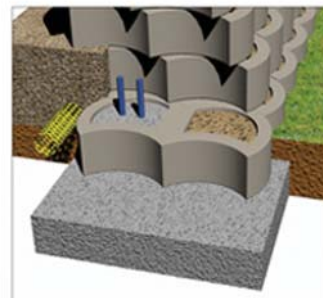
BLOCKS FILLED WITH INTERLOCKING COARSE GRAVEL OR TOPSOIL AS SPECIFIED

OPTIONAL VERTICAL INTERLOCKING KEY WHEN SOIL INFILL SPECIFIED

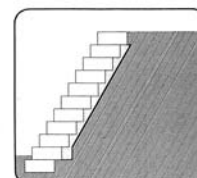
DRAINAGE LAYER AND PIPE

DOUBLE BLOCK FOR EXTRA MASS

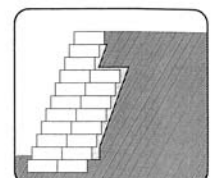
FOUNDATION TO SPECIFICATION



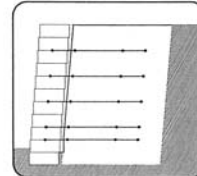
OPTIONAL R.C INFILL



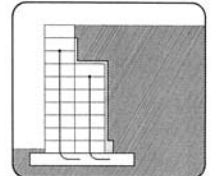
LIGHT GRAVITY WALL



MASS GRAVITY WALL



COMPOSITE STRUCTURE



VERTICAL R.C. FILLED WALL