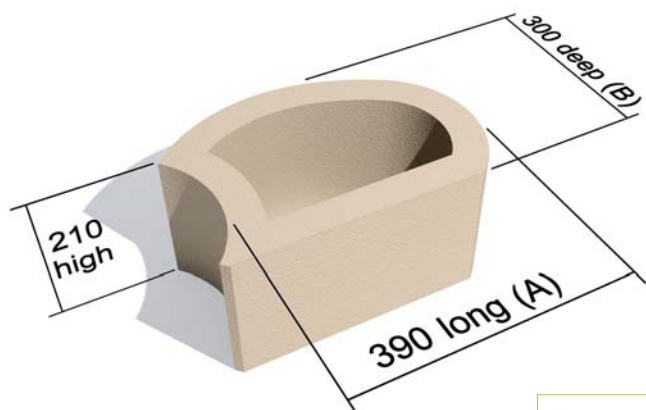
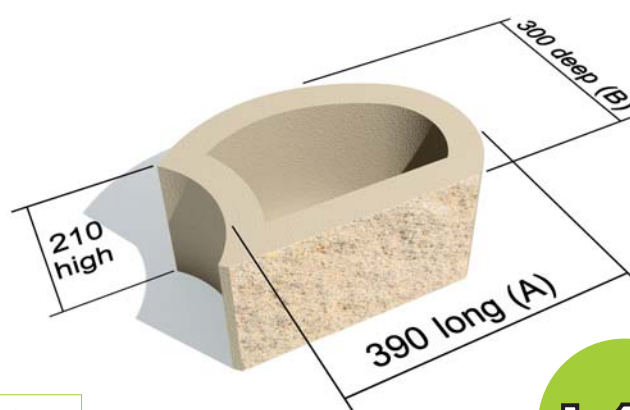


TERRAFORCE®

The original, reversible, hollow core retaining block



L12 STANDARD

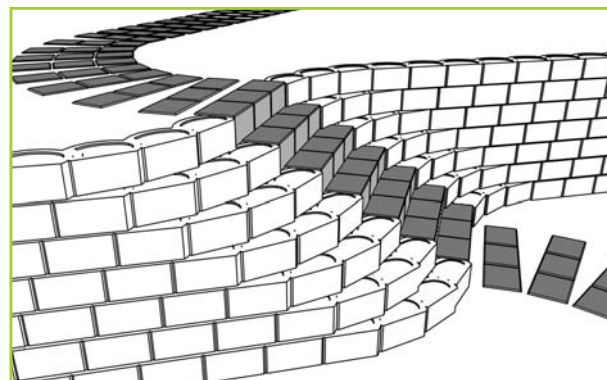


L12 ROCKFACE

For variations check with your local supplier.

L12

Block	L12
Blocks/m ² (Measured vertically)	12
Block mass/kg	24
Block infill volume/ m ³	0.011
Average constructed mass kg per m ² of wall	470
Block wall thickness mm	45-50



COMPOSITE RETAINING WALL (EARTH REINFORCED WITH GEOGRID)

LIGHT GRAVITY WALL

HEAVY GRAVITY WALL